

Approval Date

Customer Approval

Job Location

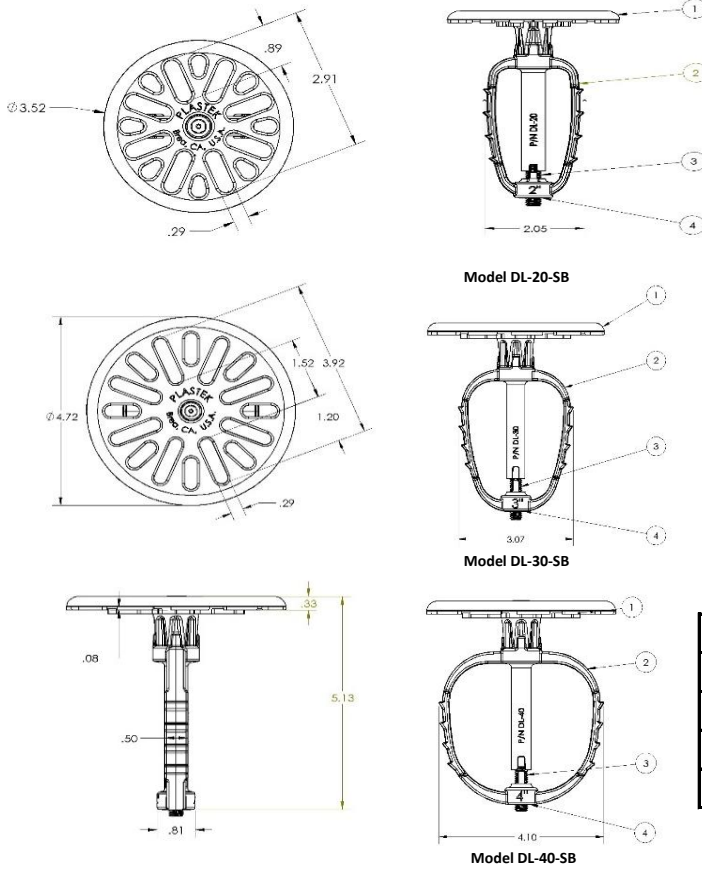
Job Name

Plastek Assumes No Responsibility for Superseded or Voided Data

Dimensional Data (Inches/mm) are Subject to Manufacturer's Tolerance and can Change without Notice

Plastek DrainLocks are manufactured of high impact polymers designed to withstand caustic cleaning solutions, and hot fluids of up to 250 °F and, ships with a tamper-proof stainless-steel security hex head bolt. Each DrainLock is self-contained and easily installs into commercial floor sinks, trough drains, trench drains and other drain openings protecting foreign objects and debris from entering and plugging drain lines

## Standard DrainLock Series



**PROJECT:**  
**ENGINEER:**  
**PLUMBER:**



Item #	Description	Qty
1	5" DrainLock Cap	1
2	2", 3" and 4" Expander	1
3	5/16" x 5" SS Tamper-Proof Bolt	1
4	5/16" Hex Nut	1

	Model Number	Outlet Size
--	--------------	-------------

- |                          |                                  |    |
|--------------------------|----------------------------------|----|
| <input type="checkbox"/> | <b>DL-20-SB</b>                  | 2" |
| <input type="checkbox"/> | <b>DL-30-SB</b>                  | 3" |
| <input type="checkbox"/> | <b>DL-40-SB</b>                  | 4" |
| <input type="checkbox"/> | <b>DLS-M Debris Screen</b>       |    |
| <input type="checkbox"/> | <b>Tamper-Proof Security Bit</b> |    |

